



**HELIAR Vintage Line 50mm F3.5
VM**

INSTRUCTION MANUAL

Voigtländer VM-mount lenses cover the full frame format and are manually controlled lenses. The user sets focus and aperture. They are designed to be used on both rangefinder film cameras and digital cameras with M-type lens mount. They can also be used on mirrorless cameras with appropriate adapters.

Features of Voigtländer VM-mount lens

- VM-mount
- Full frame format
- Smooth focus for precise focusing
- All metal construction

Tips for lens care and safety

These tips are to protect the user from injury or damaging the lens.



WARNING

If the user ignores this warning sign and uses the equipment the wrong way serious injuries and even death might be the result.



CAUTION

If the user ignores this caution sign it might result in injuries and damage the equipment.



WARNING

Never look directly at the sun with a telephoto lens as this can damage your eyes.



CAUTION

Keep the lens, camera and accessories out of reach of children.



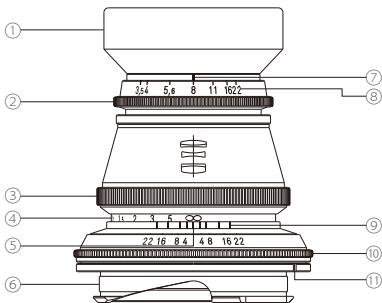
CAUTION

Store the lens away from direct sunlight and always store the lens with lens-cap on. Failure to do so can create a fire hazard.

Never touch the lens surface. In case it is dirty or dusty use commercial lens cleaner or appropriate lens cleaning cloth.

Description of Parts

- ① Lens Hood
- ② Aperture Ring
- ③ Focusing Ring
- ④ Distance Scale
- ⑤ Distance Index
- ⑥ Mount
- ⑦ Aperture Index
- ⑧ Aperture Scale
- ⑨ Depth of Field Scale
- ⑩ Depth of Field Ring
- ⑪ Mount Index



● How to attach/detach the lens

Please refer to the instruction manual for your camera for how to attach/detach the lens. Please hold Depth of Field Ring ⑩ to attach/detach the lens. To attach/detach the lens while holding other parts of the lens barrel can damage the lens.

● Rangefinder Coupling

Coupled focusing range of this lens is $\infty \sim 0.7\text{m}$. However, rangefinder coupling range will be different depending on the rangefinder mechanism of the camera used.

● Attaching Lens Hood

Screw the Lens Hood ① to the front of the lens.

● Attaching Filter

The filter size is a $\varnothing 27\text{mm}$ thread. Detach the Lens Hood ① from the lens and filters should be screwed into the lens thread.

● **Attaching Mount Adapter**

This lens can be used with Micro Four Thirds mount Cameras / E-mount cameras by using Voigtländer VM Micro Four Thirds adapter / VM E-mount adapter II / VM-E Close Focus adapter.

● Specifications

Product Name	HELIAR Vintage Line 50mm F3.5
Focal Length	50mm
Maximum Aperture	F3.5
Minimum Aperture	F22
Lens Construction	3 groups 5 elements
Angle of View	46°
Aperture Blade	10
Rangefinder Coupling	∞ ~ 0.7m
Minimum Focus	0.7m
Filter Size	Ø27mm
Maximum Diameter	Approx. Ø52.0mm
Length	Approx. 43.2mm
Weight	Approx. 187g
Mount	VM-mount
Supplied Accessory	Rear Cap, Lens Hood, Hood Cap

* Specification and information is subject to change without prior notice.